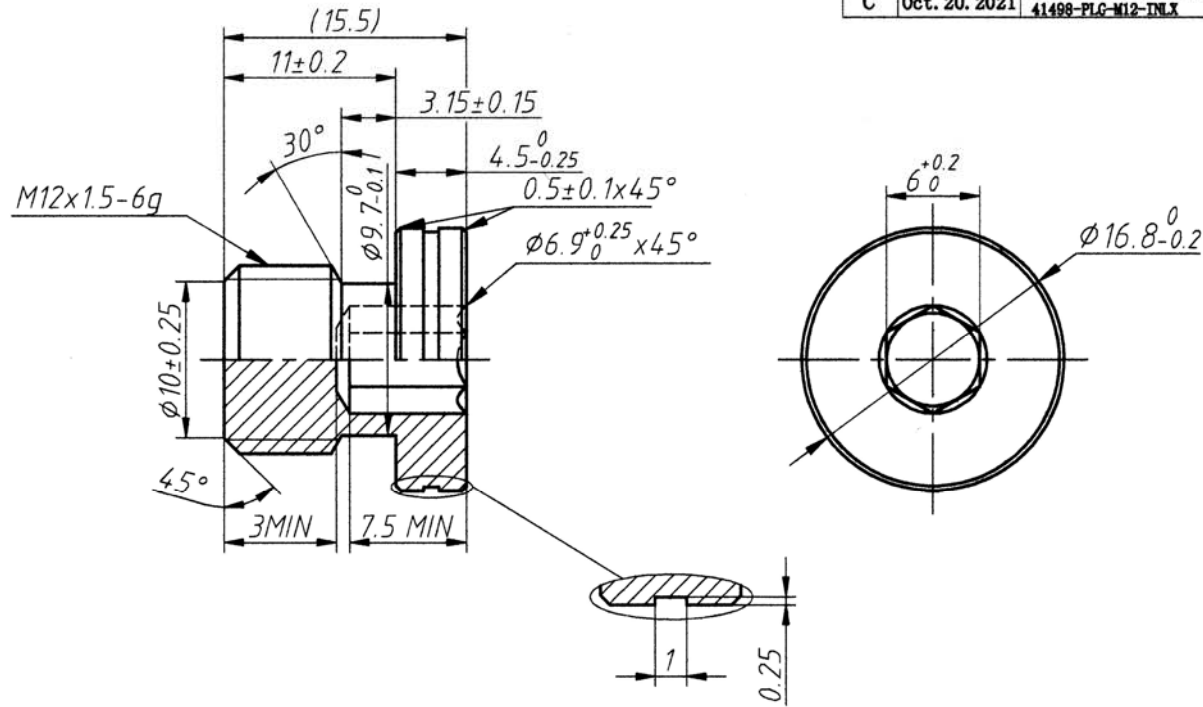


REV 更改号	DATE 日期	REVISION DETAILS 更改内容	APPD 审核并批准
A	Sep. 23. 2021	Production issue	
B	Oct. 13. 2021	Change the part no. to 41498-PLG-M12	
C	Oct. 20. 2021	Change the part no. to 41498-PLG-M12-INLX	



UNLESS SPECIFIED  
ALL DIMENSIONS ARE IN mm,  
ROUGHNESS ON  
HEXAGON SURFACE  
MACHINED SURFACE Ra=3.2µm,  
ANGLES TOLERANCE ±5°,  
DIMENSIONS TOLERANCE ±0.25mm,  
REMOVE ALL BURRS, SLIVERS AND  
SWARF,  
BREAK ALL SHARP EDGES R<0.5mm

其它事项,  
图示尺寸单位为mm,  
六角面粗糙度  
未注机加工表面粗糙度 Ra=3.2µm,  
未注角度公差 ±5°,  
未注尺寸公差 ±0.25mm  
去除所有毛刺及金属切屑,  
锐边倒钝R<0.5mm.

Zhejiang Gaocheng Autoparts Co.,Ltd

THIRD ANGLE PROJECTION

PART No  
零件名

41498-PLG-M12-INLX

MATERIAL

Chinese steel 35#

材料 35号钢

SCALE:

NTS

APPD:

批准

DATE

日期

DRN: 余德胜

制图 2021.10.20

CHK: 詹永斌

审核 2021.10.20

FINISH

ZINC PLATING WITH 6µm MICRONS MINIMUM PLATING THICKNESS AND TRIVALENT CHROMATE PASSIVATION AND WITHSTAND 96 HRS TO WHITE / 144 HRS TO RED RUST IN SALT SPRAY TEST.

镀锌, 三价铬钝化, 银白色, 盐雾试验96小时无白斑, 144小时无红锈, 镀锌层厚度大于8µm.

Handwritten signature

Handwritten signature